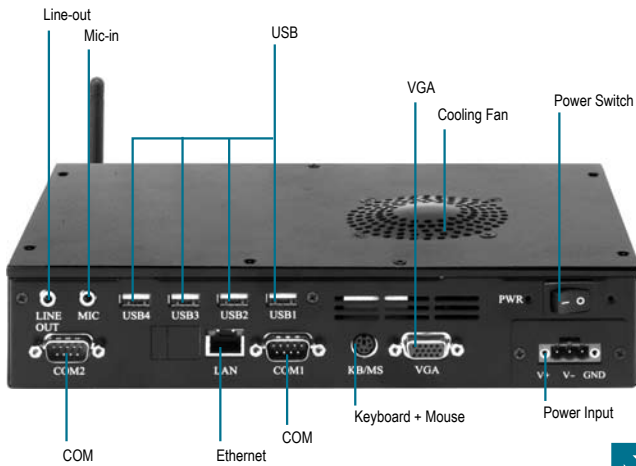


TKS-G50

Chassis Kit for GENE-9310/ 8310

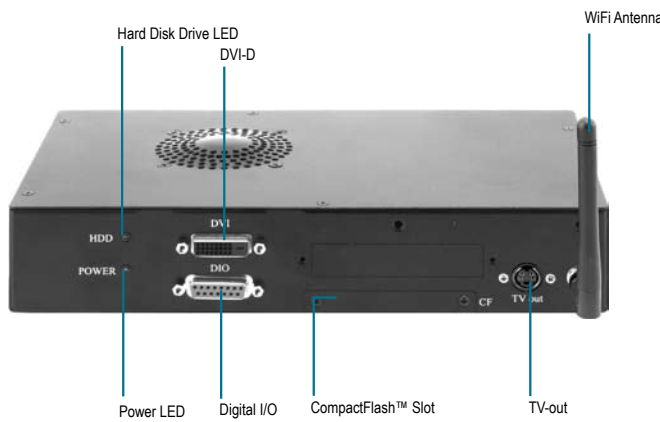
12

Turn-Key Chassis



Features

- One 6cm System Cooling Fan
- VGA/ DVI (Optional)/ TV-out (Optional)
- 2.5" Hard Disk Drive and CompactFlash™
- 802.11b/g WiFi (Optional)
- COM x 2, USB x 4, 8-bit Digital I/O (Optional)
- Built-in AC-in or DC-in Power Supply
- Desktop or Wallmount (optional)

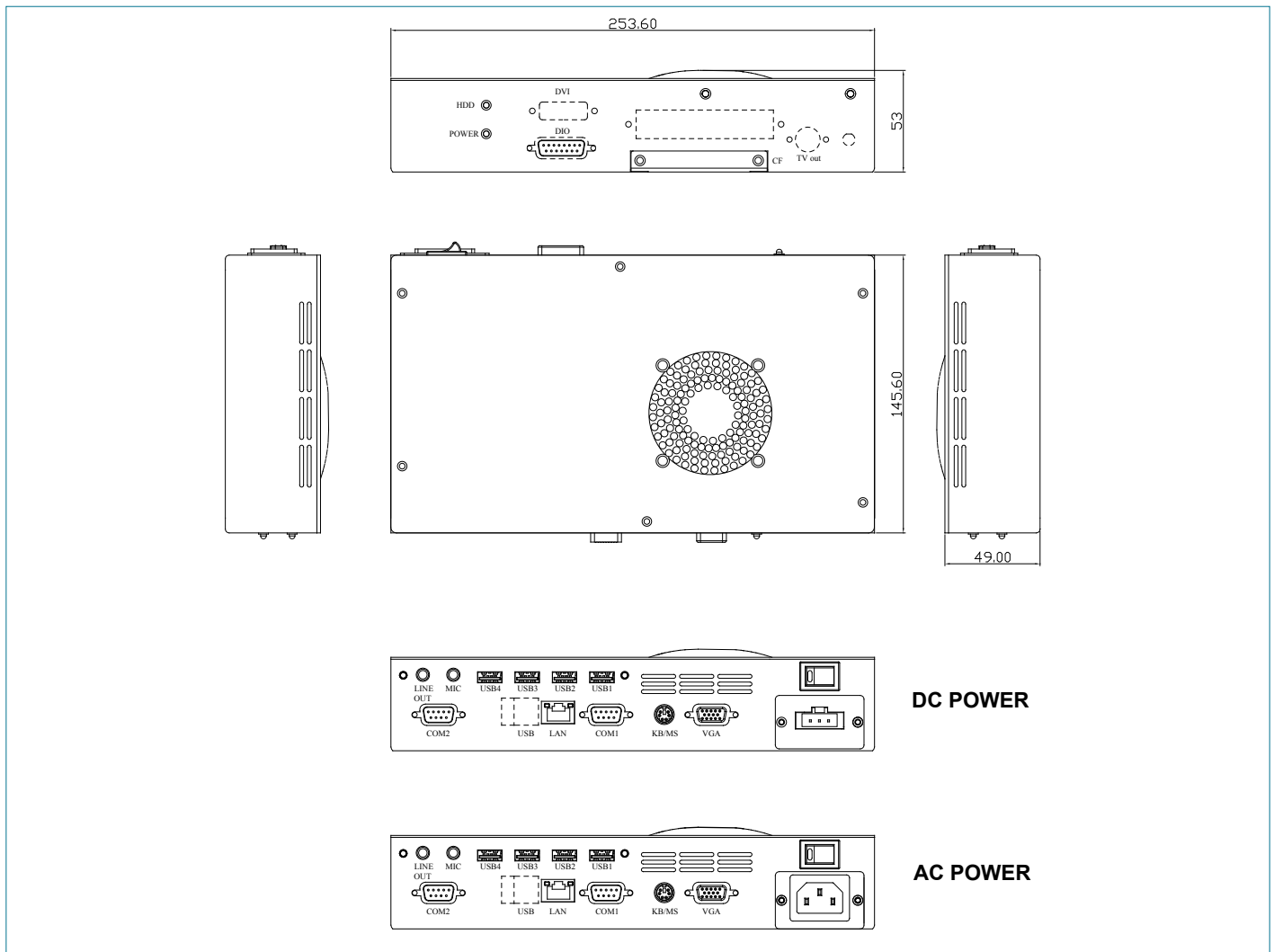


Specifications

System		
CPU Board Support	GENE-9310 / GENE-8310	
Display	VGA	D-Sub 15 x 1
	TV-out	S-Video x 1 (optional)
	DVI	DVI-D x 1 (optional)
Storage	SSD	Type II CompactFlash™ Slot x 1
	HDD	2.5" Hard Disk Drive Bay x 1
LAN	Ethernet	10/100Base-TX or Gigabit Ethernet, RJ-45 x 1
	Wireless	802.11b/g WiFi Kit (optional)
System I/O	PS/2 Port	PS/2 x 1 for keyboard and mouse through Y-cable
	Serial Port	D-Sub 9 x 2
	USB Port	USB Type A x 4
	Digital I/O	8-bit programmable (optional)
	Audio	Line-out, Mic
LED Indicator	Power LED x 1, HDD LED x 1	
Power Supply	DC Input	AT or ATX type, +9V ~ +30V Input
	AC Input	AT type, 100V ~ 240V Input
System Cooling	6cm cooling fan x 1	
Mechanical & Environmental		
Operating Temperature	32°F ~ 104°F (0°C ~40°C)	
Vibration	0.5g rms/ 5~500Hz/ random operation	
EMC	CE /FCC class A	
Dimensions	10" x 5.75" x 2.1" (254mm x 146mm x 53mm)	
Construction	Heavy duty steel	
Mounting	Desktop or Wallmount (Optional)	
Color	Black	

TKS-G50

Dimension Unit: mm



Ordering Information

- **TF-TKS-G50-8310-005-DX/DT/AT**
Chassis Kit, GENE-8310-A12, Celeron® M 1.3GHz (DX: DC-ATX / DT: DC-AT / AT:AC-AT)
- **TF-TKS-G50-8310-006-DX/DT/AT**
Chassis Kit, GENE-8310-A12, Celeron® M 1.5GHz (DX: DC-ATX / DT: DC-AT / AT:AC-AT)
- **TF-TKS-G50-9310-002-DX/DT/AT**
Chassis Kit, GENE-9310-A10 (DX: DC-ATX / DT: DC-AT / AT:AC-AT)

Optional Accessories

- **9761G50000**
Wallmount Kit
- **9741666646**
802.11b/g Wireless LAN Kit
- **9741G50006**
DVI Kit
(For TF-TKS-G50-9310-001-DX/ DT/ AT)
- **1700250370**
DVI Cable
(For TF-TKS-G50-8310 Series)
- **9741G50008**
S-Video Out Cable Kit
- **9741G50009**
Composite Video Out Cable Kit
- **1701150201**
Digital I/O Cable
- **1757908400**
84 Watts Power Adapter