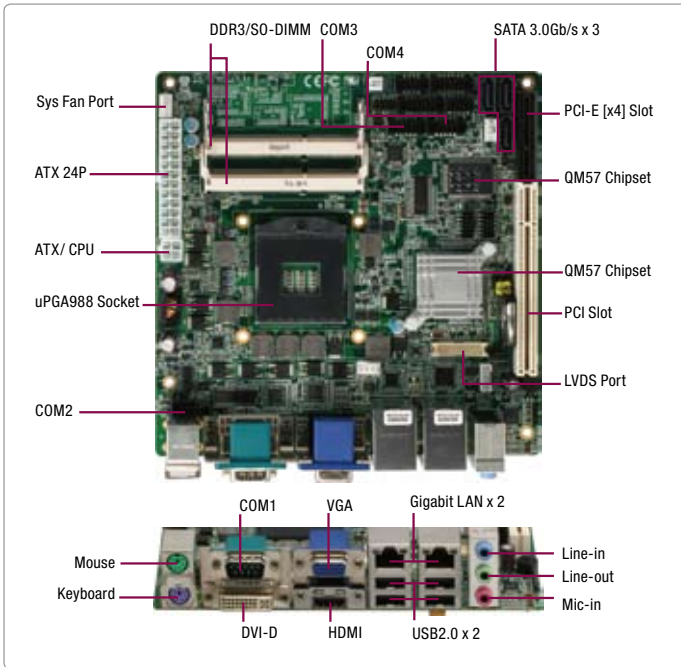


IMBI-QM57

Industrial Motherboard with Intel® Core™ i7/i5 Mobile Processor

10

Embedded & Industrial Motherboards



Features

- Intel® Core™ i7/i5 rPGA988 (32/45nm) Processor Integrated Graphics & Memory Controller
- Intel® QM57
- Dual-Channel DDR3 800/1066 Memory (Up To 8 GB)
- Intel® Gigabit Ethernet x 2, Support Intel® iAMT 6.0
- Dual View With VGA, DVI, HDMI, LVDS
- SATA 3.0Gb/s x 3, RAID 0, 1, 5, 10
- USB2.0 x 8, COM x 4
- PCI-Express [x4] x 1, Mini PCIe x 1, PCI x 1



Specifications

System	
Form Factor	Mini-ITX
Processor	Intel® Core™ i7/i5 rPGA988 (32/45nm) CPUs, TDP: 35W max.
System Memory	Dual-Channel DDR3 800/1066 SODIMM x 2, up to 8 GB
Chipset	Intel® QM57
Ethernet	Intel® 10/100/1000Base-TX, RJ-45 x 2 LAN1: Intel® 82577LM (Supports Intel® iAMT 6.0) LAN2: Intel® 82574L/82583V
Audio	HD Audio Codec with Realtek ALC888
BIOS	AMI BIOS 64 Mb SPI ROM
I/O Chipset	ITE IT8718F I/O controller
Storage	SATA 3.0Gb/s connector x 3, RAID 0, 1, 5, 10
SSD	CompactFlash™ Type 2 socket x 1
DIO	Programmable 8-bit (4 input/4 output)
Watchdog Timer	1 ~ 255 steps, can be set with software on Super I/O
H/W Status Monitoring	Monitoring system temperature, voltage, and cooling fan status
Expansion Interface	PCI-Express [x4] x 1, Mini PCIe x 1, PCI x 1
Power Requirement	ATX Standard 24-pin connector x 1
Power Consumption	—
Board Size (L x W)	6.7" x 6.7" (170mm x 170mm)
Gross Weight	0.66 lb (0.3 Kg)
Operating Temperature	32°F ~ 140°F (0°C ~ 60°C)
Storage Temperature	-4°F ~ 158°F (-20°C ~ 70°C)
Storage Humidity	10~80%, non-condensing
MTBF (Hours)	56,000
Display	
Chipset	Intel® Core™ i7/i5 + QM57
Graphic Engine	Intel® Gen 6.0 integrated Graphics Engine
Resolution	2048 x 1536 for CRT 1920 x 1080 for DVI
LCD Interface	Dual-channel 24-bit LVDS
Video Interface	VGA x 1, DVI-D x 1, HDMI x 1
I/O	
Serial Port	RS-232 Port x 1 supports 5/12V on the 9th pin RS-232/422/485 box header x 1 supports 5/12V on the 9th pin RS-232 box header x 2
KB & Mouse	Keyboard x 1 & Mouse x 1
USB	USB2.0 x 8 (four in the I/O side, four with header)
Audio	Audio Jack x 3 with BTX Type (Mic in, Line in, Line out)
Ethernet	RJ-45 x 2
Display	VGA x 1, DVI-D x 1

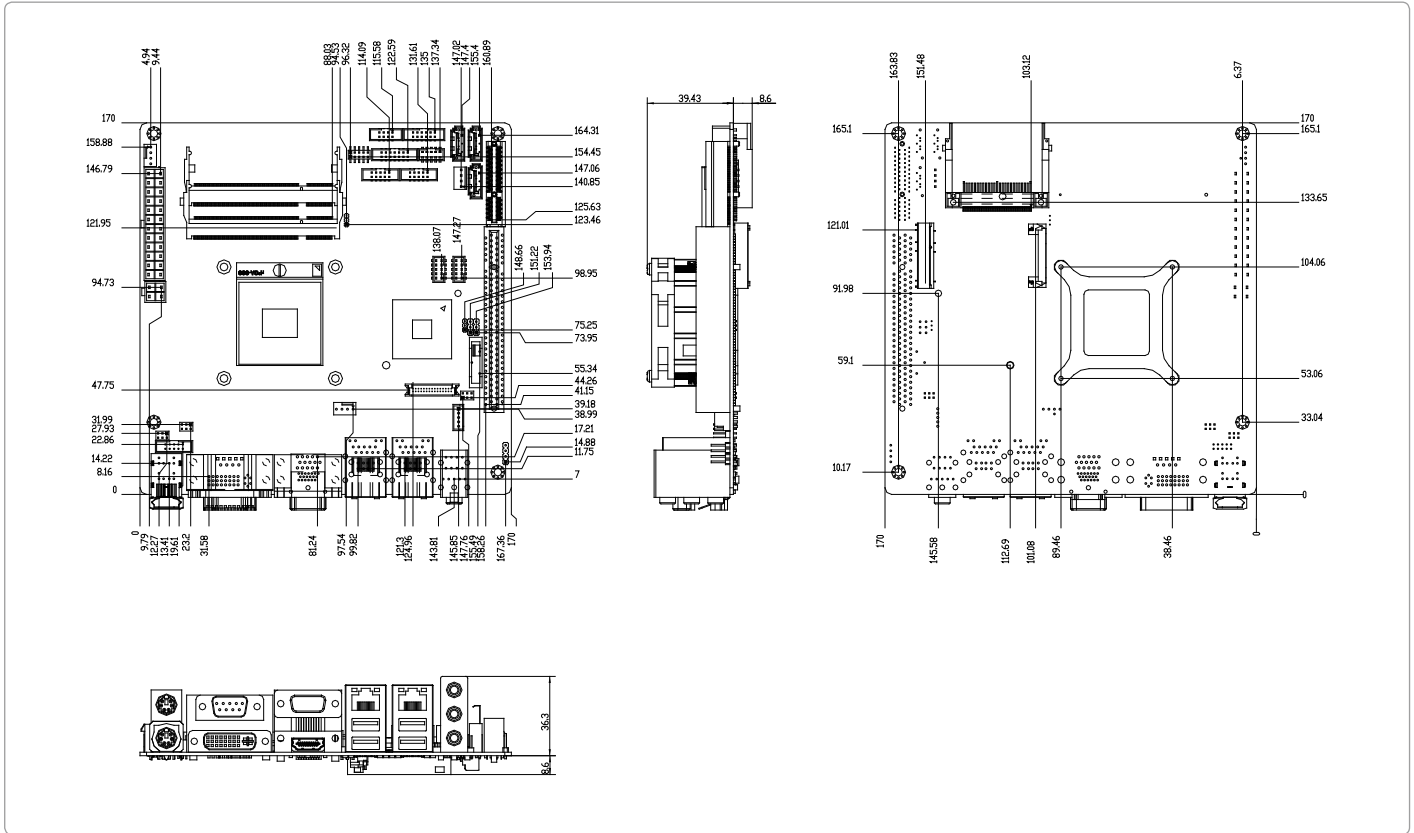
Packing List

- 1709070800
SATA Signal Cable
- 1701100305
COM Port Cable with DB-9
- 1709100201
USB Cable
- M20QM57000
I/O Shield
- Product CD
- IMBI-QM57

IMBI-QM57

Dimension

Unit: mm



Ordering Information

Part Number	CPU	RAM	Fan/Fanless	Display	Storage	LVDS	LAN	USB	RS-232	RS-232/422/485	Expansion Slot	Power	Temp.
TF-IMBI-QM57-A20	Socket	SODIMM	Fan	VGA/DVI-D/ LVDS/HDMI	SATA2 x 3, CF x 1	24-bit Dual-channel	GbE x 2	8	3	1	Mini PCIe x 1 PCI-E[x4] x 1 PCI x 1	ATX	0°C ~ 60°C

Optional Accessories

- **1759200170**
CPU Cooler for rPGA988 CPU, TDP 35W
- **TF-PER-1110-A10**
Riser Card for PCI, 2-slot
- **TF-PER-R16P-A10**
Riser Card, PCI + PCI-E[x4]