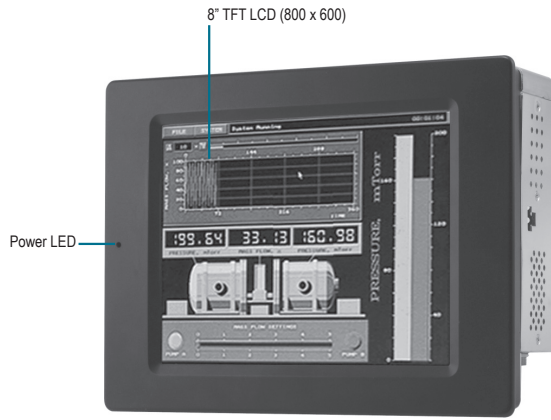


AOP-8080XT

8.4" SVGA TFT-LCD, Windows® XP Embedded OS Operator Panel PC

02

OMNI Series - Operator Panel Solutions



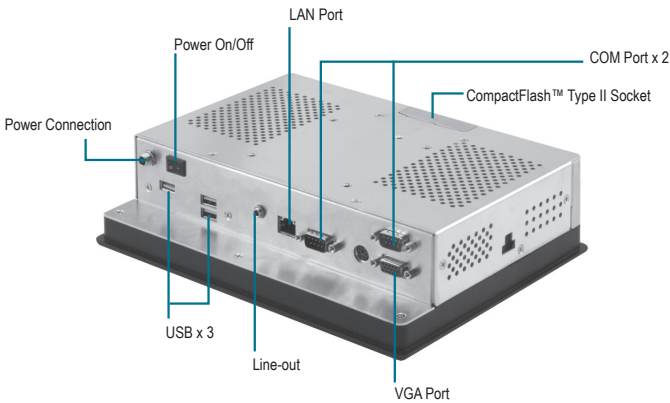
Features

- Onboard Intel® Celeron® M Processor
- 8.4" SVGA Color TFT LCD Display
- Slim, Fanless, Rugged
- Touch Screen and CompactFlash™ Card Support
- Windows® XP Embedded Support
- 10/100Base-TX Ethernet
- Dual Independent Displays
- Fanless Solution (Intel® Celeron® M 600 Processor)



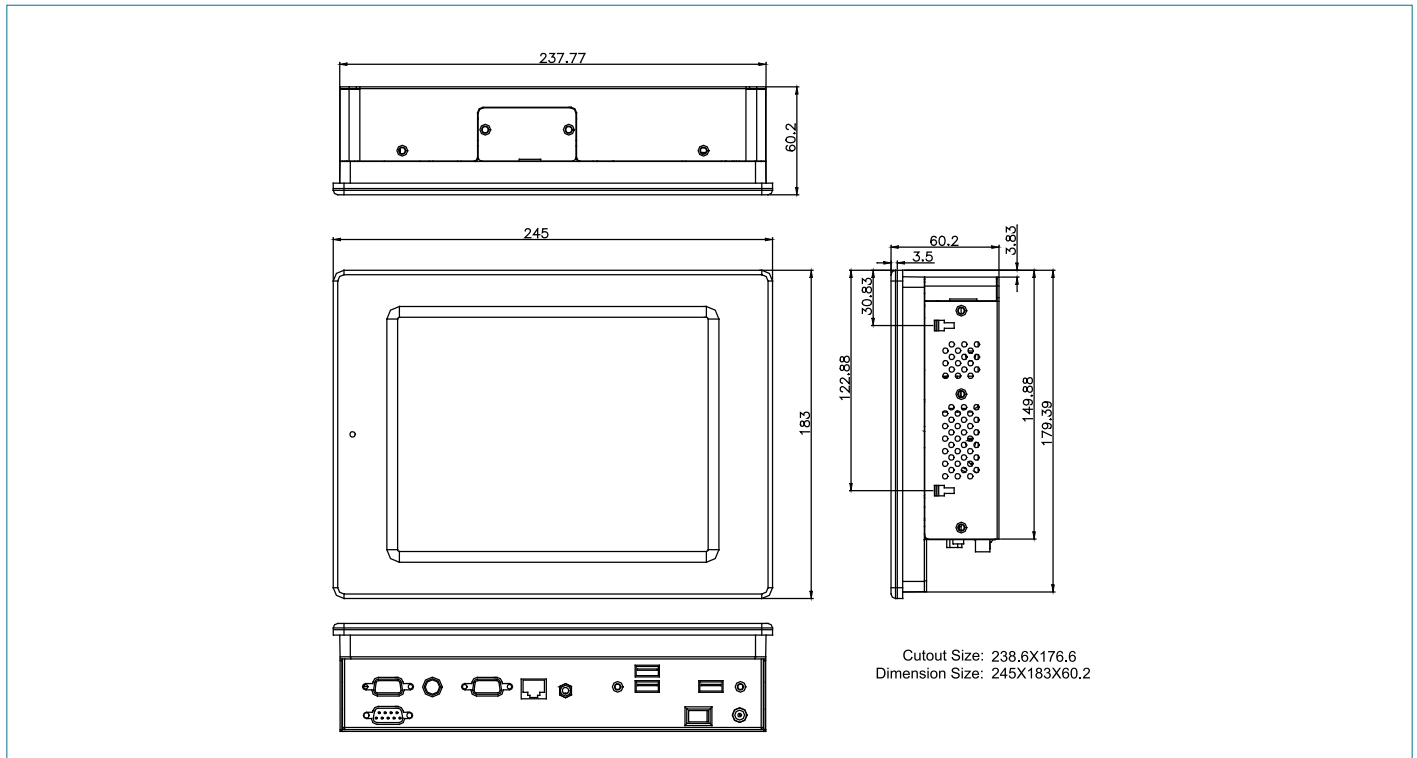
Specifications

System	
Processor	Intel® Celeron® M 1.3G/ 600MHz
System Memory	Onboard 256/ 512MB
Storage Memory	1G CompactFlash™ / Hard Disk Drive bay
LCD/CRT Controller	Intel® 852GM
Ethernet	Intel® 82562, 10/100Base-TX, RJ-45 x 1
I/O Port	RS-232 (DB-9) x 2 USB2.0 x 3 VGA x 1 Audio Line out x 1 PS/2 (keyboard + mouse Mini-Din port) x 1
Solid Storage Disk	Type II CompactFlash™ (open slot)
Expansion Slot	CompactFlash™, Mini-PCI
OS Support	Windows® XP Embedded, XP Pro
Mechanical	
Construction	Plastic panel (IP65 certified), metal backcover
Color	Front Bezel: Black Back Cover: Silver
Mounting	VESA 75
Dimension	9.65" x 7.2" x 2.4" (245mm x 183mm x 61mm)
Carton Dimension	11.5" x 7.68" x 9.65" (292mm x 195mm x 245mm)
Gross Weight	5.5 lb (2.5 kg)
Net Weight	4.4 lb (2 kg)
Environmental	
Operating Temperature	32°F ~ 122°F (0°C ~ 50°C) - TF-AOP-8080XT-A1/P1 32°F ~ 104°F (0°C ~ 40°C) - TF-AOP-8080XT-A2/P2
Storage Temperature	-4°F ~ 140°F (-20°C ~ 60°C)
Storage Humidity	10 ~ 90% @ 40°C, non-condensing
Vibration	Random Operation 1G, 5~500Hz
Shock	15G peak acceleration (11m sec. duration) / operation
EMC	CE/FCC Class A
Power Supply	
DC-DC Input, 50W	Input: 5V DC
LCD	
Display Type	8.4" TFT- LCD
Max. Resolution	800 x 600
Max. Color	262,144
Dot Size	0.213 x 0.213
Luminance	450 cd/m ² (Typical)
View Angle	120°(H)/100°(V)
Back Light MTBF (Hours)	50,000
Touchscreen	
Type	4-wire, Analog Resistive
Resolution	2048 x 2048
Light Transmission	> 80%
Lifetime	10 million activations



AOP-8080XT

Dimension Unit: mm



Ordering Information

- **AOP-8080XT-P1-1110**
Intel® Celeron® M 1.3G Operator Panel with 8.4" LCD, 512MB RAM, Touch Screen and Windows® XP Embedded (Eng) on CompactFlash™ 1G
- **AOP-8080XT-P2-1110**
Intel® Celeron® M 600M Fanless Operator Panel with 8.4" LCD, 256MB RAM, Touch Screen and Windows® XP Embedded (Eng) on CompactFlash™ 1G
- **AOP-8080XT-A1-1110**
Intel® Celeron® M 1.3G Operator Panel with 8.4" LCD, 512MB RAM and Touch Screen
- **AOP-8080XT-A2-1110**
Intel® Celeron® M 600M Fanless Operator Panel with 8.4" LCD, 256MB RAM and Touch Screen

Optional Accessories

- **ARM-WK075-0**
Wallmount Kit with VESA 75/100mm Standards
- **ARM-DR075-0**
DIN Rail Kit with VESA 75/100mm Standards
- **1757905001**
AC Input Adapter (50W) (DC 5V output)
- **1702031802**
Power Cord (US type)
- **1702031803**
Power Cord (European Type)
- **170203180E**
Power Cord (Japanese Type)
- **9741666646**
Wireless LAN Kit IEEE802.11b/g with Antenna
- **Industrial CompactFlash™**