

AOP-8060XT

6" TFT-LCD Windows® XP Embedded Operator Panel PC



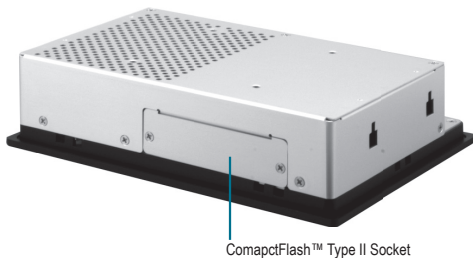
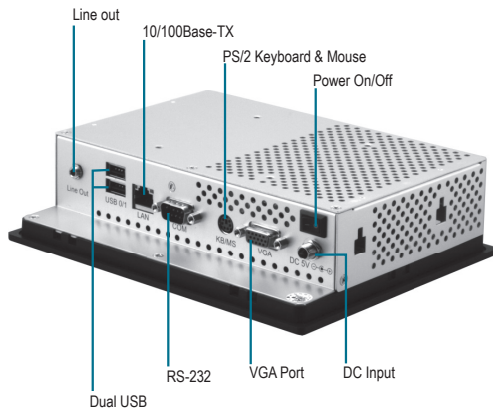
Features

- **Fanless Design**
- **Onboard Intel® Celeron® M 600MHz Processor**
- **6.4" VGA Color TFT LCD Display**
- **Slim, Fanless, Rugged Design**
- **Touch Screen and CompactFlash™ Card Support**
- **Windows® XP Embedded Support**
- **10/100Base-TX Ethernet**
- **Dual Independent Displays**



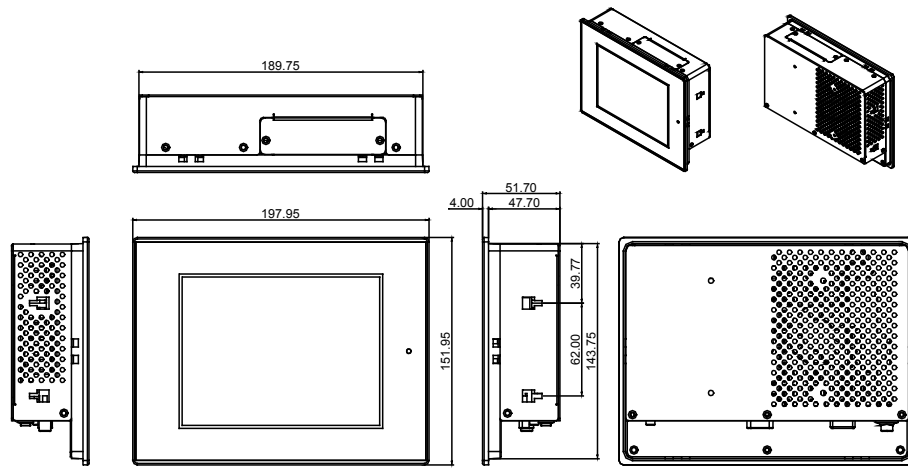
Specifications

System	
Processor	Intel® Celeron® M 1.3G/ 600MHz
System Memory	Onboard 256MB
Storage Memory	512 MB CompactFlash™
LCD/CRT Controller	Intel® 852GM + Chronitel7009
Ethernet	Intel® 82562, 10/100Base-TX, RJ-45 x 1
I/O Port	RS-232 (DB-9) x 1 USB 2.0 x 2 VGA x 1 Audio Line out x 1 PS/2 (keyboard + mouse Mini-Din port) x 1
Solid Storage Disk	Type II CompactFlash™ Open slot
Expansion Slot	Mini-PCI slot, CompactFlash™ slot
OS Support	Windows® XP, Windows® XP Embedded
Mechanical	
Construction	Aluminum back cover IP-65 certified Plastic front panel
Color	Front Bezel: Black Back Cover: Silver
Mounting	VESA 75
Dimension	7.8" x 6" x 2.05" (198mm x 152mm x 52mm)
Carton Dimension	11.2" x 7.36" x 9" (284mm x 187mm x 228mm)
Gross Weight	3.3 lb (1.5 kg)
Net Weight	2.2 lb (1 kg)
Environmental	
Operating Temperature	32°F ~ 104°F (0°C ~ 40°C)
Storage Temperature	-4°F ~ 140°F (-20°C ~ 60°C)
Storage Humidity	10 ~90%@40°C, non-condensing
Vibration	Random Operation 1G, 5~500Hz
Shock	15G peak acceleration (11m sec. duration) / operation
EMC	CE/FCC Class A
Power Supply	
DC-DC Input, 25W	Input: 5V DC
LCD	
Display Type	6.4" color TFT LCD
Max. Resolution	640 x 480
Max. Color	262K
Dot Size	0.204 x 0.204
Luminance	250 cd/m² (Typical)
View Angle	130°(H)/ 110°(V)
Back Light MTBF (Hours)	20,000



AOP-8060XT

Dimension Unit: mm



AOP-8060XT

Cutout Size: 191 mm x 145 mm
Dimension: 197.95 mm x 151.95 mm x 51.7 mm

Touchscreen	
Type	4-wire, Analog Resistive
Resolution	2048 x 2048
Light Transmission	> 79%
Lifetime	1 million activations

Ordering Information

- **TF-AOP-8060XT-P1-1110**
Intel® Celeron® M 1.3GHz Operator Panel with 6.4" LCD, 256 RAM, Touch Screen and Windows® XP Embedded (Eng) on 512MB CompactFlash™
- **TF-AOP-8060XT-P2-1110**
Intel® Celeron® M 600MHz Fanless Operator Panel with 6.4" LCD, 256 RAM, Touch Screen and Windows® XP Embedded (Eng) on 512 MB CompactFlash™

Optional Accessories

- **ARM-WK075-0**
Wallmount Kit with VESA75/100mm Standards
- **ARM-DR075-0**
DIN Rail Kit with VESA 75/100mm Standards
- **1702031802**
Power Cord (Us Type)
- **1702031803**
Power Cord (European Type)
- **170203180E**
Power Cord (Japanese Type)
- **1757902500**
25W AC Input Adapter (DC 5V output)
- **1702021201**
DC Power Cable w/ lockable Connector